

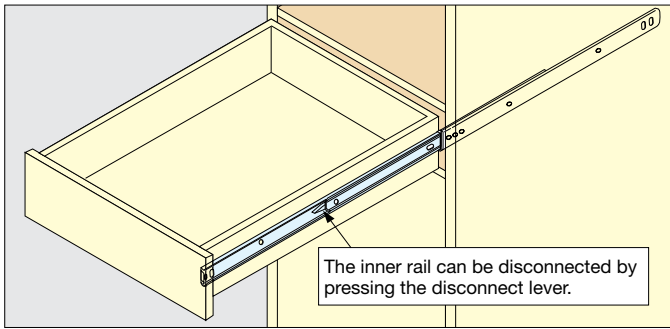
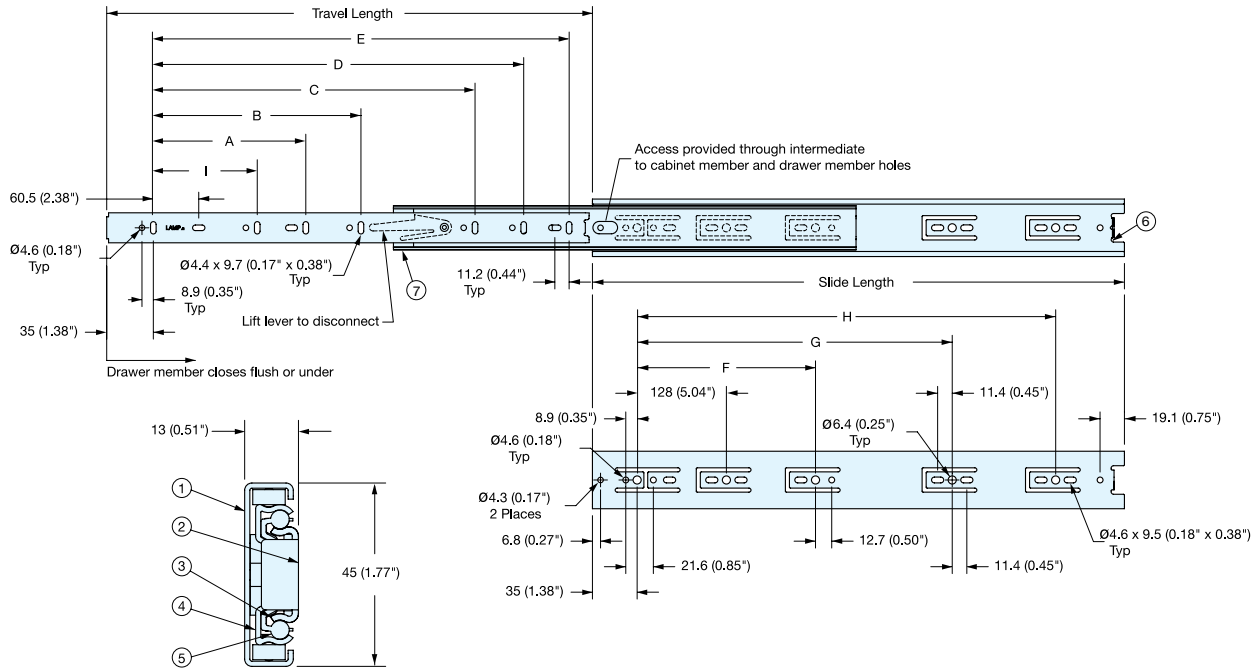
FULL EXTENSION SLIDE



ESR-4513

DRAWER SLIDES

STAINLESS STEEL SLIDES



Installation

- Full extension.
- Front disconnect.
- Positive stop.
- Hold-in detent.
- Non-handed.
- * Sold in pairs.
- * Mount with M4 or #8 Binding, Pan, or Truss head screws.

25.4 mm=1"		
No.	Part	Material
①	Outer Rail	304 Stainless Steel
②	Inner Rail	
③	Retainer	
④	Intermediate Member	
⑤	Balls	
⑥	Detent	Rubber
⑦	Lift Lever	Plastic

Item No.	Slide Length	Travel Length	A	B	C	D	E	F	G	H	I	Load Rating (kg/pair)	Weight (g)	Box (Pair)
ESR-4513-10	250 (9-27/32")	243 (9-9/16")	-	-	-	-	192	-	-	-	-	52 (115 lbs)	743 (1.64 lbs)	10
ESR-4513-12	300 (11-13/16")	305 (12")					242	50 (111 lbs)				932 (2.05 lbs)		
ESR-4513-14	350 (13-25/32")	355 (14")					292	49 (108 lbs)				1070 (2.36 lbs)		
ESR-4513-16	400 (15-3/4")	406 (16")					342	47 (104 lbs)				1223 (2.70 lbs)		
ESR-4513-18	450 (17-23/32")	457 (18")					392	46 (100 lbs)				1376 (3.03 lbs)		
ESR-4513-20	500 (19-11/16")	508 (20")					442	44 (97 lbs)				1530 (3.37 lbs)		
ESR-4513-22	550 (21-21/32")	559 (22")					492	43 (95 lbs)				1682 (3.71 lbs)		
ESR-4513-24	600 (23-5/8")	610 (24")					542	42 (92 lbs)				1835 (4.05 lbs)		
ESR-4513-26	650 (25-19/32")	660 (26")					592	41 (90 lbs)				1988 (4.38 lbs)		
ESR-4513-28	700 (27-9/16")	711 (28")					642	40 (87 lbs)				2141 (4.72 lbs)		